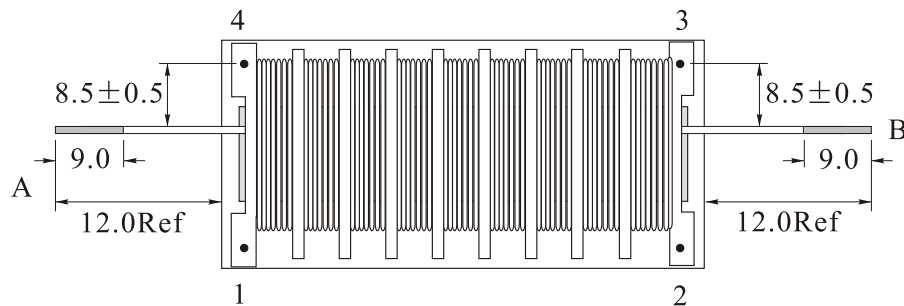
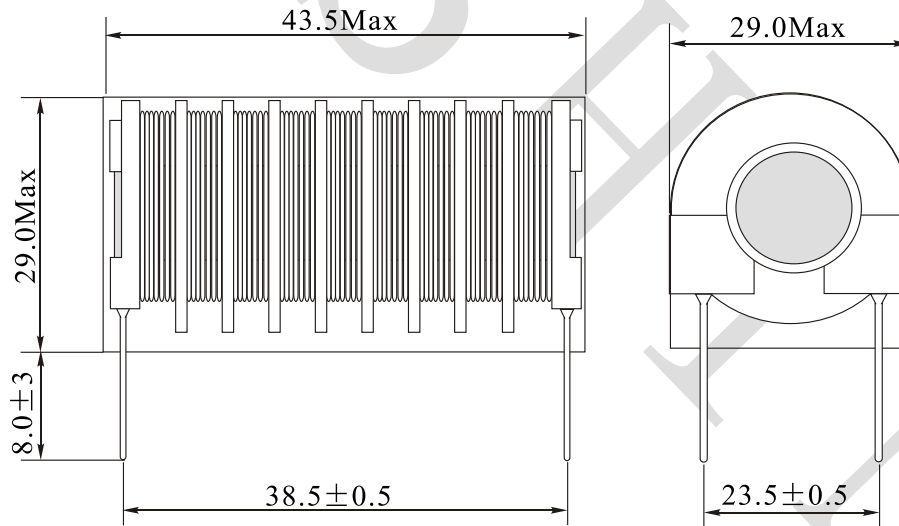
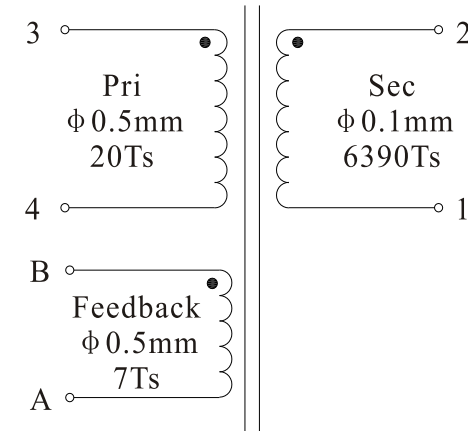


Rev.	Description	Date
A0	New release	2021.12.16

1. PHYSICAL CHARACTERISTICS(mm)



2. ELECTRONICAL SCHEMATIC



3. ELECTRONICAL SPECIFICATIONS

Inductance: Pin3-4: 20.0uH±20%@1KHz,0.1V

Pin2-1: 1.4H±20%@1KHz,0.1V

Turns ratio: Sec: Pri=6390:20

DCR: Pin3-4: 72mΩ ±10%

Pin2-1: 815Ω ±7%

Operating temperature: -25°C to +105°C

NOTES:

Temp 20°C 48%RH
RoHS Compliant

NEME:	Ignition transformer		
CUSTOMER P/N:		DATE:	2021-12-16
SHINHOM P/N:	HT1040-642-3	REV: A0	PAGE
DRAWN BY	CHECKED BY	APPROVE BY	



SHINHOM
SHAANXISHINHOM ENTERPRISE CO LTD

The Document property belong to SHINHOM & is not allowed to be duplicated without authorization