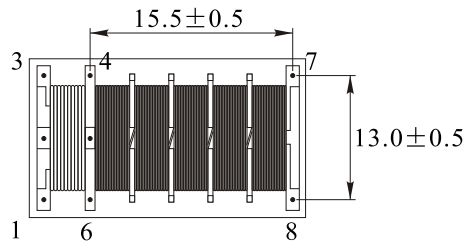
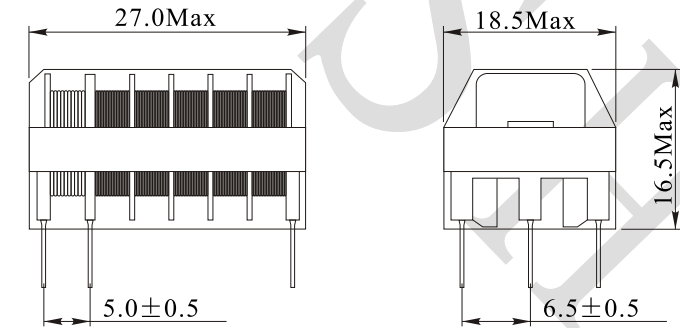


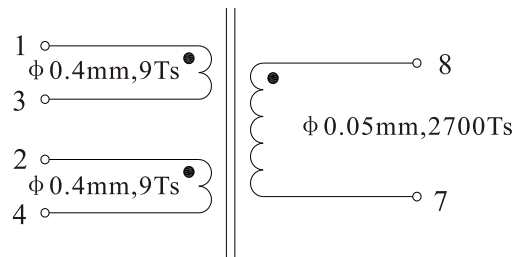
Rev.	Description	Date
A0	New release	2021.11.09

1. PHYSICAL CHARACTERISTICS (mm)



Bottom view

2. ELECTRONICAL SCHEMATIC



3. ELECTRONICAL SPECIFICATIONS

Inductance(1-3)=(2-4): 7~16uH@1KHz,0.1V

DCR(1-3)=(2-4): 37mΩ ±20%

Inductance(8-7): 1.0H ±20%@1KHz,0.1V

DCR(8-7): 650Ω ±20%

4. MATERIALS

No.	Name	Ratings	Manufacturer name
1	magnetic core	EEL16 PC40	SONGNA
2	copper wire	φ0.05mm 2UEW	JINGWEI
		φ0.4mm 2UEW	
3	adhesive tape	130°C	WENLIAN
4	skeleton	150°C	ZHISHENG
5	epoxy	TA228	PINTE
6	curing agent	B2006	PINTE
7	tin	Green tin	HONGXINGWEI

NAME:		High voltage transformer	
CUSTOMER P/N:		DATE:	2021-11-09
SHINHOM P/N:		HT16L-2700-18	REV: A0
DRAWN BY		CHECKED BY	APPROVE BY
PAGE			



SHINHOM
SHAANXISHINHOM ENTERPRISE CO LTD

The Document property belong to SHINHOM & is not allowed to be duplicated without authorization