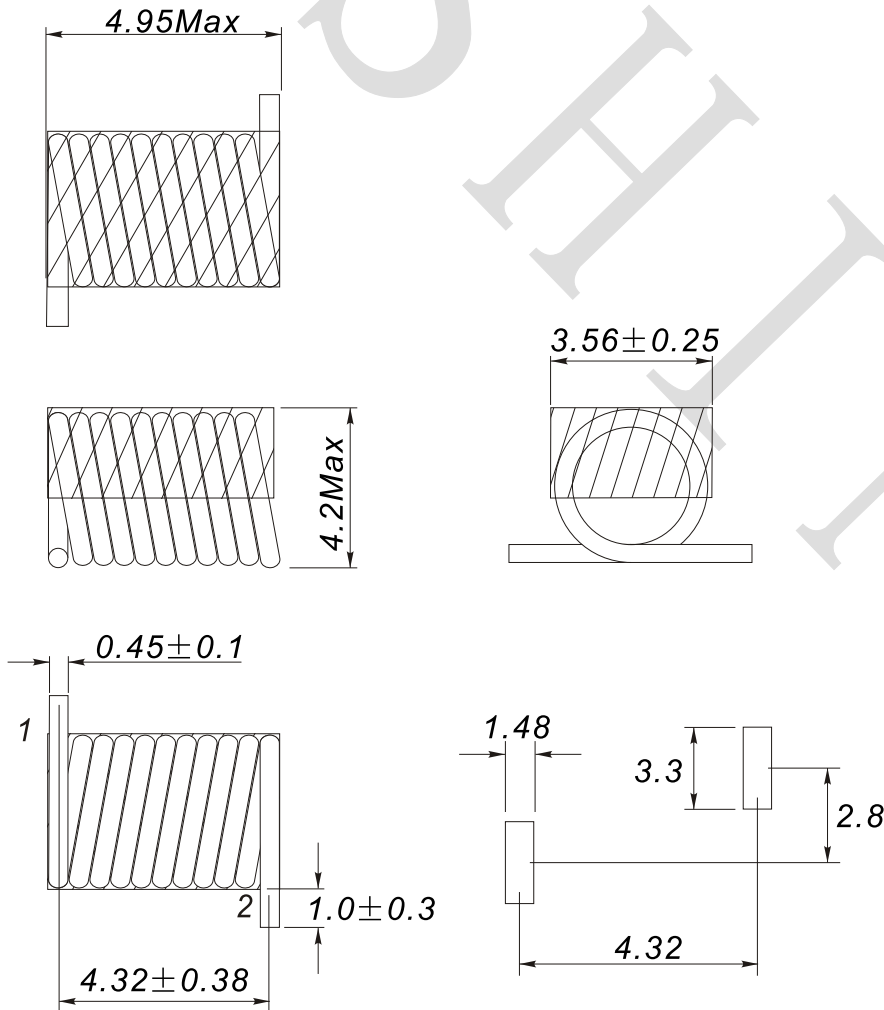
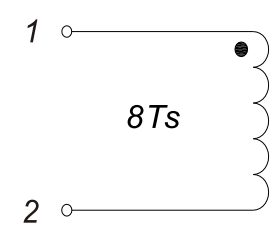


Rev.	Description	Date
A0	New release	2018.11.16

1. PHYSICAL CHARACTERISTICS (mm)



2. ELECTRONICAL SCHEMATIC



3. ELECTRONICAL SPECIFICATIONS

- L: 82nH ± 5% @ 150MHz, 0.1V
- DCR: 9.4mΩ Max
- Rated current: 2.5A Max
- Q: 100Min @ 150MHz
- SRF: 1300MHz Min
- Operating temperature range: -40°C to +125°C
(include temp. rise 40°C)
- Storage temperature range: -40°C to +85°C

NAME:	Air-core coil		
CUSTOMER P/N:		DATE:	2018-11-16
SHINHOM P/N:	SMAR5040-82NJ	REV: A0	PAGE
DRAWN BY	CHECKED BY	APPROVE BY	



SHINHOM
SHAANXISHINHOM ENTERPRISE CO LTD

The Document property belong to SHINHOM & is not allowed to be duplicated without authorization