

AIR CORE COIL, HIGH CURRENT POWER INDUCTOR RC2014 SERIES



Our RC high-current, high-power air core inductors can handle up to 57 Amps with no core loss. Their size results in excellent Q factors – up to 230 at 400 MHz. Inductance values range from 33 nH to 257 nH, all with ± 20% tolerance. High-reliability versions are available for space, military, and other critical applications.

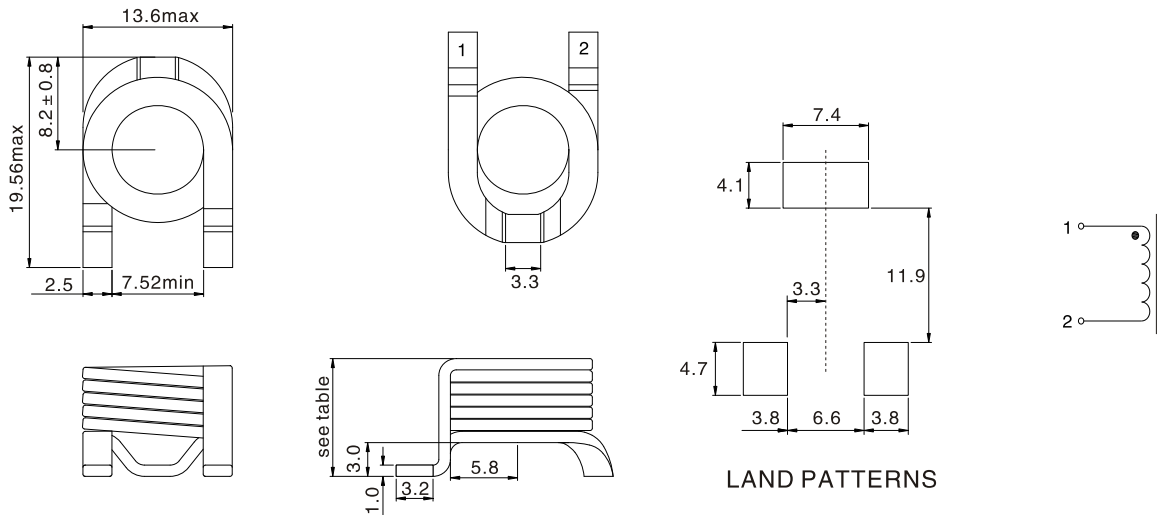
- Compact size using flat wire
- High current, high frequency power inductors
- Excellent Q factors – up to 230 at 400 MHz
- Current handling as high as 32.5 Amps
- RoHScompatible.

ELECTRICAL CHARACTERISTICS@25°C

Part No.	Inductance (nH) ± 20%	DCR (mΩ)Max	Quality factor		SRF (MHz)	Temperature rise 20°C current (A)Max	Temperature rise 40°C current (A)Max	Height (mm)Max
			Q	MHz				
RC2014-33NM	33	0.74	230	100	620	32.5	43.0	5.99
RC2014-66NM	66	1.0	200	50	413	31.5	42.5	7.09
RC2014-R11M	108	1.34	210	50	320	31.0	42.0	8.31
RC2014-R16M	155	1.6	205	50	296	29.4	39.7	9.19
RC2014-R20M	202	1.82	200	50	262	26.3	35.8	10.4
RC2014-R26M	257	2.15	200	50	230	21.9	34.5	11.4

TECHNICAL INFORMATION & PHYSICAL CHARACTERISTICS:

Dimensions(mm)



- Inductance is measured with a LCR meter 4284A or equivalent. Test frequency at 1MHz/0.1V
- DC resistance is measured with 16502 Milliohm Meter, or equivalent. Reference ambient temperature 25°C
- Q measured at the specified frequency using HP4991A impedance analyzer or equivalent.
- SRF measured using HP4991A impedance analyzer or equivalent.
- Current that causes the specified temperature rise from 25°C ambient. This information is for reference only and does not represent absolute max. ratings.
- Operatingtemperature: -40°C~+220°C. Including self temperature rise.

INDUCTANCE VS FREQUENCY

