

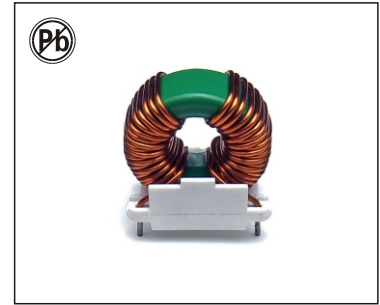
THROUGH-HOLE TOROIDAL COMMON MODE CHOKES TRF3518 SERIES

FEATURES:

- 1.5A to 15A ratings
- 1.0mH to 16mH dual chokes
- Excellent Mechanical Strength
- 100KHz to 3MHz common mode resonance
- High Reliability and variant PCB-mount housing
- Low resistance and temperature rise

COMMON APPLICATIONS:

- DC/DC, AC/DC line noise suppression
- Communication System
- Automotive Systems
- LCD/PDPTelevisions
- Computer Peripheral Equipment It accord with the standards of FCC VCCI CISPR FTZ,etc, eliminating of electromagnetic noise of power and signal circuit.

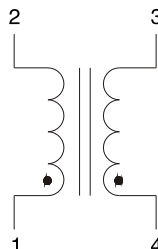
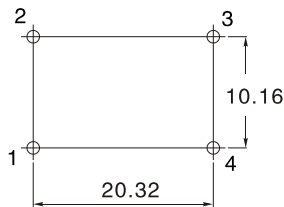
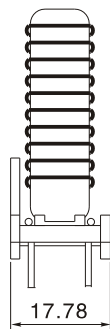
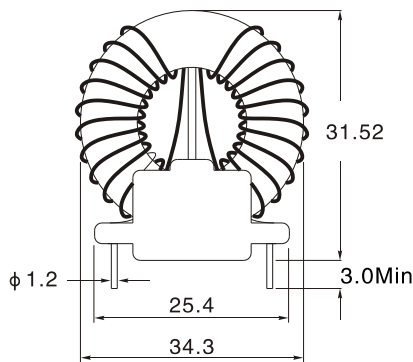


ELECTRICAL CHARACTERISTICS:

Part Number	Inductance (mH Min.) 10KHz,0.1V	Rated Current Amps	DCR each winding (Ohms Max)	Leakage inductance (μ H) Type
TRF3518-163Y	16.0	1.5	0.320	180
TRF3518-103Y	10.0	2.2	0.240	130
TRF3518-802Y	8.0	2.5	0.120	90
TRF3518-402Y	4.0	3.5	0.040	45
TRF3518-302Y	3.0	6.0	0.030	35
TRF3518-202Y	2.0	9.0	0.020	25
TRF3518-102Y	1.0	15.0	0.010	12

TECHNICAL INFORMATION & PHYSICAL CHARACTERISTICS:

DIMENSIONS IN:mm



- Inductance tolerance in +50% -30%
 - Max operating voltage:250V at 40°C
 - IDC Max: rating AC/DC current A @40°C
 - Hi-Pot 2500Vac winding to winding 3S.
 - Inductance Testing: 10KHz 0.1V HP4284A
 - RDC:QuadTech 1880 Milliohmmeter
 - Surge current Max 10ms: 20X IDC
 - Operating temperature: -40°C to +105°C
 - Storage Temperature: -40°C to +105°C
 - Resistance to soldering heat:260°C for 10 seconds
 - Marking: Part number and date code
- Note:All specifications subject to change without notice.