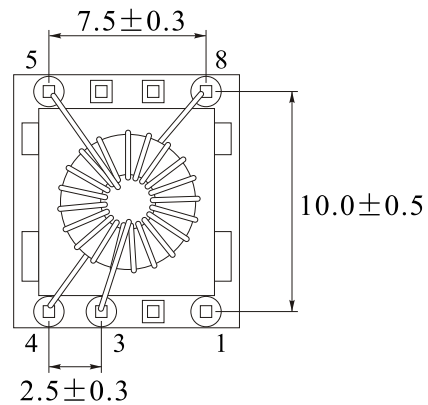
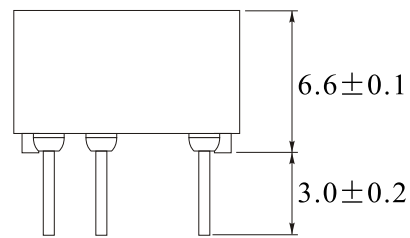
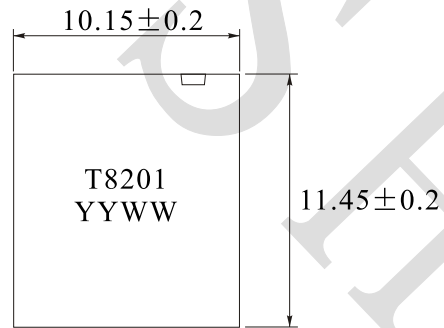
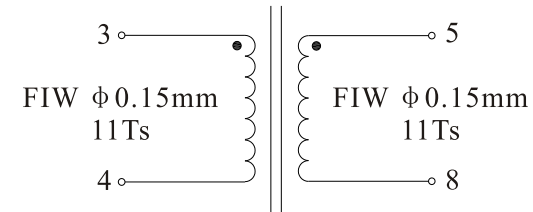


Rev.	Description	Date
A0	New release	2023.12.29

1. PHYSICAL CHARACTERISTICS (mm)



2. ELECTRICAL SCHEMATIC



3. ELECTRICAL SPECIFICATIONS

Turns ratio: (3-4):(5-8)=1:1

Inductance(3-4): 200uH Min@100KHz,0.1V

LK(3-4): 1.0uH Max@100KHz,0.1V, tie 5-8

DCR(3-4): 160mΩ Max

(5-8) 160mΩ Max

Hi-Pot: 5000Vac,1mA,60S

Operating temperature: -40°C to +75°C

(Including self-temp. rise)

Storage temperature: -40°C to +85°C

NAME:	Isolation transformers for broadband PLC system		
CUSTOMER P/N:		DATE:	2023-12-29
SHINHOM P/N:	T8201	REV: A0	PAGE
DRAWN BY	CHECKED BY	APPROVE BY	



SHINHOM
SHAANXISHINHOM ENTERPRISE CO LTD

The Document property belong to SHINHOM & is not allowed to be duplicated without authorization